



Illustrated Parts List

Portable Generator
Model 030248



Troy-Bilt® is a registered trademark of MTD and is used under license to Briggs & Stratton Power Products.

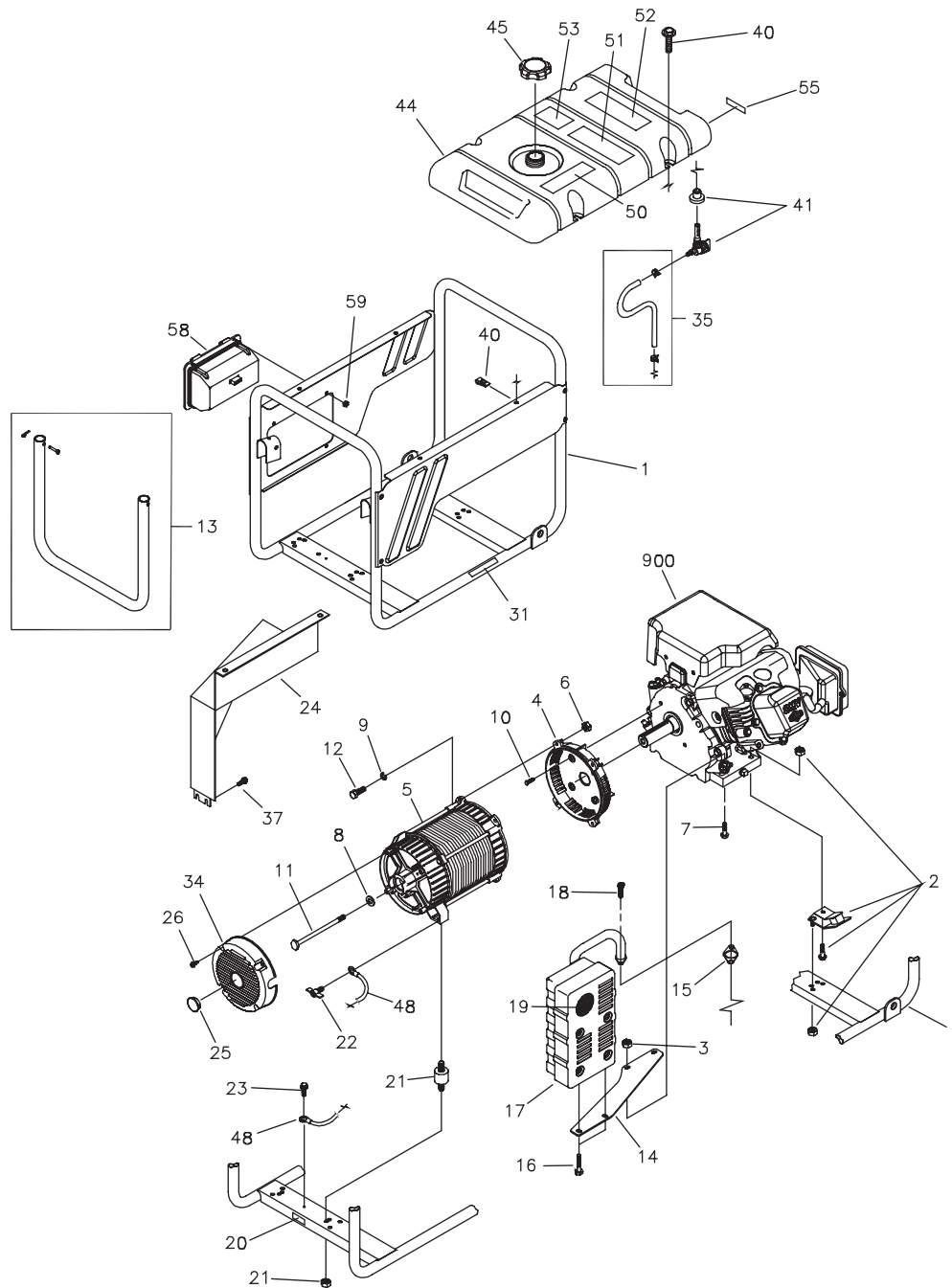
Troy-Bilt® es una marca registrada de MTD y se usa abajo licencia a Briggs & Stratton Power Products.

BRIGGS & STRATTON POWER PRODUCTS GROUP, LLC
JEFFERSON, WISCONSIN, U.S.A.

Printed in USA Manual No. 197584C Revision D (07/19/2007)

Exploded Views and Parts Lists

EXPLODED VIEW - MAIN UNIT



Copyright © 2007 Briggs & Stratton Power Products Group, LLC. All rights reserved. No part of this material may be reproduced or transmitted in any form by any means without the express written permission of Briggs & Stratton Power Products Group, LLC.

Exploded Views and Parts Lists

PARTS LIST - MAIN UNIT

Item	Part #	Description	Item	Part #	Description
1	197670GS	KIT, Cradle (Includes #'s 20 & 31)	40	199433GS	KIT, Fuel Tank Hardware w/U-Clips
2	194150GS	KIT, Vibration, Mount, 45°		199284GS	U-CLIPS, (Optional Accessory)
3	67989GS	NUT, M8 Flange Serrated	41	192980GS	KIT, Valve, Fuel Tank
4	186058AGS	HOUSING, Engine Adapter	44	198226GS	ASSY., Tank, Fuel (Includes #'s 41, 50, 51, 52, 53 & 55)
5	NSP	ASSY, Alternator (see page 5)	45	200095GS	CAP, Fuel
6	*	NUT, Hex M8 - 1.25	48	195373GS	WIRE, Ground
7	*	TPHMS, M8 - 1.25 x 35	50	188333GS	DECAL, Gas Fill
8	96796GS	WASHER, 8.4 x 22.2 x 3	51	194799GS	DECAL, Danger
9	*	WASHER, Lock 5/16 M8	52	189235GS	DECAL, Start Instructions
10	*	HHCS, 5/16-24 x 3/4	53	202997GS	DECAL, Warning, CO
11	47480GS	HHCS, 5/16-24 x 7	55	197798GS	DECAL, Shut-Off, Fuel
12	*	HHCS, M8 1.25 x 25	58	200430GS	ASSY, Control Panel
13	194330GS	KIT, Handle	59	*	NUT, Palnut, 3/16"
14	191785GS	BRACKET, Muffler	900	§	ENGINE
15	697815	GASKET, Exhaust			
16	*	HHCS, M6 - 1.0 x 12 w/LW			
17	188301GS	MUFFLER			
18	*	SHCS, M6 - 1.0 x 20			
19	83083GS	SCREEN, Spark Arrest			
20	B4986GS	DECAL, Ground, Green			
21	194153GS	KIT, Vibration Mount			
22	86494GS	SCREW, Wing M6 - 1.0 x 16			
23	86292GS	SCREW, 10 - 16 x 3/4, Self Drill			
24	198037GS	SHIELD, Heat			
25	191190GS	CAP			
26	74908GS	SCREW, M5-0.8 x 10, Taptite			
31	196830GS	DECAL, Exhaust Warning			
34	195422GS	COVER, RBC, Plastic w/Cap			
35	195207GS	KIT, Hose Formed			
37	56893GS	CRIMPTITE, 10-24 x 1/2			

Parts Not Illustrated

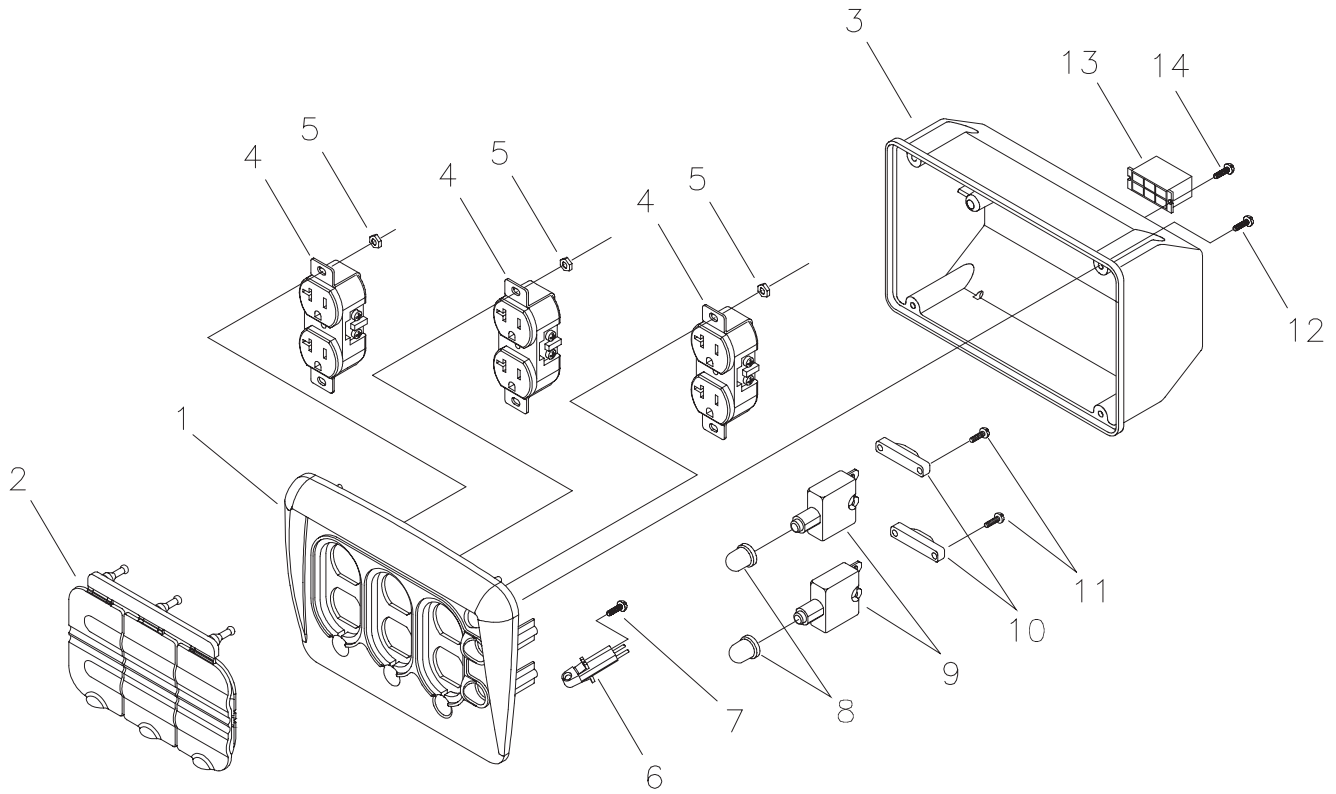
201617GS	MANUAL, Operator's
BB3061BGS	BOTTLE, Oil
197474GS	CORDSET, Storm
198225GS	KIT, Decals

* - Items without part numbers are common fasteners and are available at your local hardware store.

§ - Contact Engine Manufacturer

Exploded Views and Parts Lists

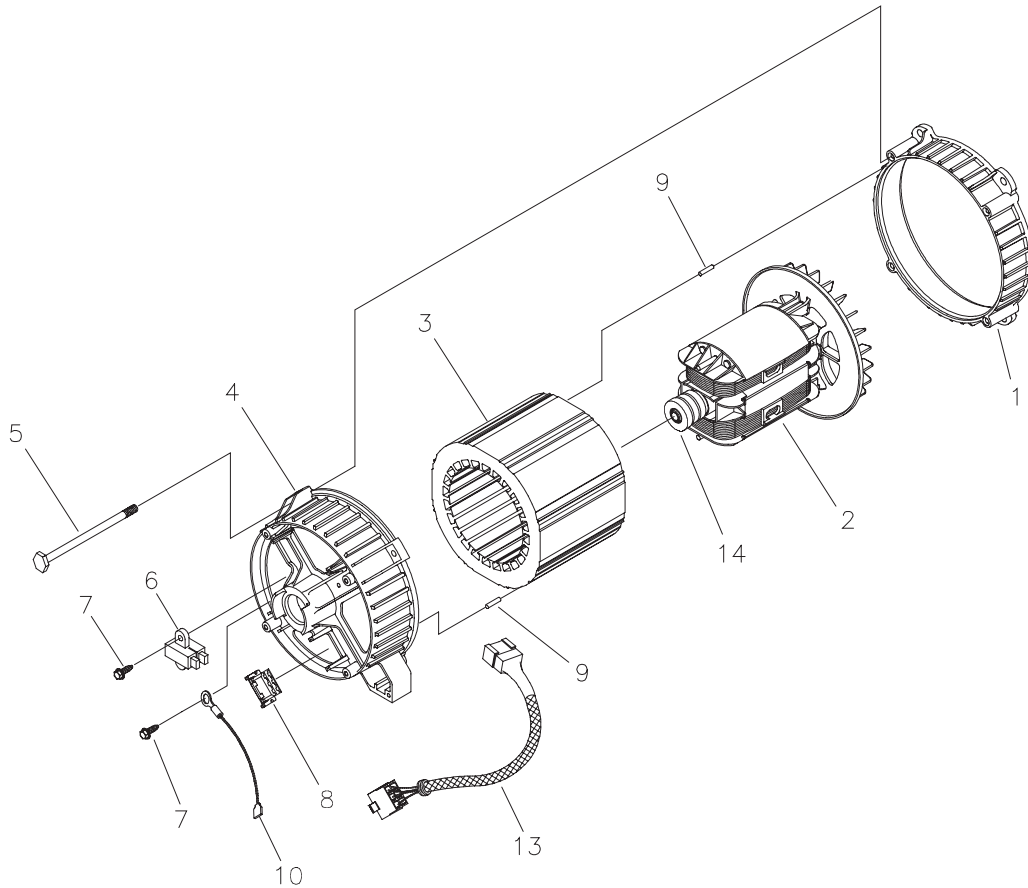
CONTROL PANEL EXPLODED VIEW & PARTS LIST



Item	Part #	Description
1	196898GS	PANEL, Control
2	197004GS	COVER, Outlet Flip
3	188890GS	COVER, Back Panel
4	197731GS	OUTLET, 120V, 15/20A Dplx
5	189165GS	NUT, 5/32 Pal
6	197729GS	MODULE, Led
7	197958GS	SCREW, 3 x 6, Tapping
8	84198GS	CAP, Breaker
9	75207DGS	BREAKER, Circuit, 15A
10	197805GS	BAR, Retaining
11	*	PPHMS, M3 - 0.5 x 18
12	192241GS	SCREW, 3.5 x 14, Tapping
13	22694GS	HOUSING, Rcptcl, 6 Pin
14	82308GS	SCREW, 3 x 18, Tapping

* - Items without part numbers are common fasteners and are available at your local hardware store.

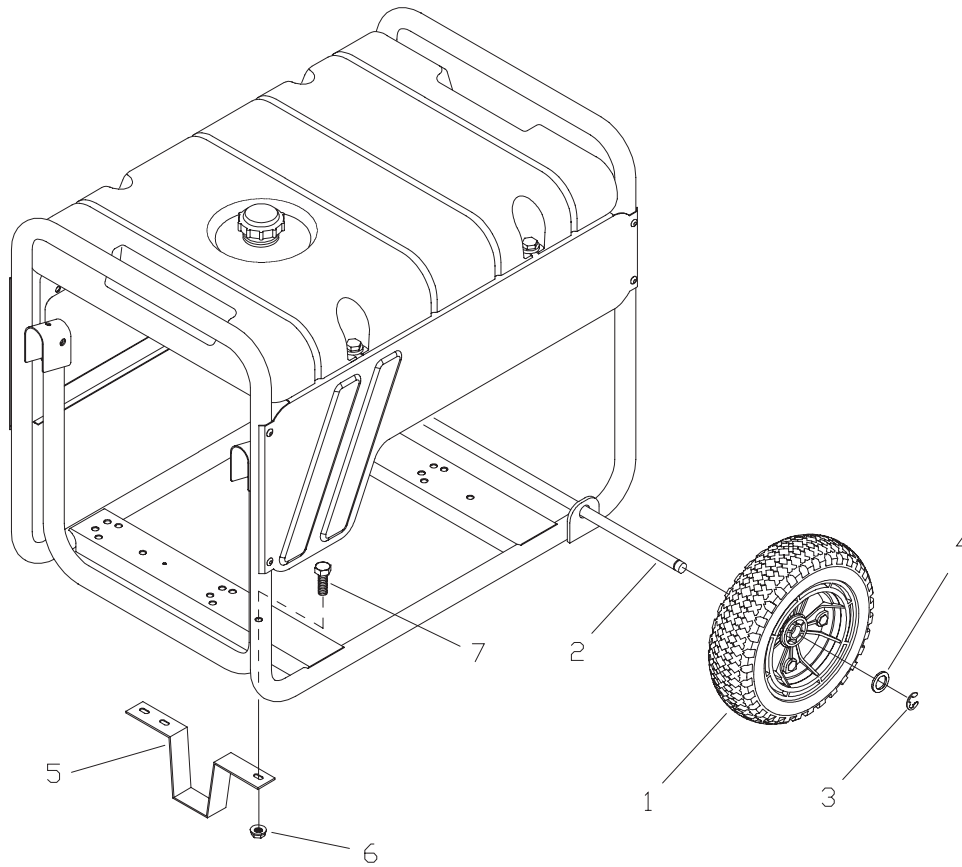
ALTERNATOR EXPLODED VIEW & PARTS LIST



Item	Part #	Description
1	186059GS	ADAPTER, Mounting, Alternator
2	191685GS	ROTOR (Includes Item 14)
3	191686AGS	STATOR
4	186060GS	RBC, with O-Ring (p/n 189197GS)
5	86308GS	HHCS, M6 - 1.0 x 115 SEMS
6	91825GS	ASSY, Holder, Rectifier/Brush
7	66849GS	TAPTITE, M5 - 0.8 x 16
8	22694GS	RECEPTACLE, 6 pin
9	81917GS	PIN, Roll, 4mm x 10
10	193428AGS	ASSY, Wire, Ground
13	194274GS	HARNESS, Wire, Power
14	65791GS	BEARING

Exploded Views and Parts Lists

WHEEL KIT EXPLODED VIEW & PARTS LIST



Item	Part #	Description
1	196517GS	WHEEL
2	191267NGS	AXLE
3	191265GS	E-RING
4	*	WASHER, 5/8"
5	B1764GS	SUPPORT, Wheel Kit
6	67989GS	NUT, M8 Flange Serrated
7	*	HHCS, M8- 1.25 x 16

* - Items without part numbers are common fasteners and are available at your local hardware store.