



## Illustrated Parts List

Portable Generator  
Model 030346-01



Troy-Bilt® is a registered trademark of MTD and is used under license to Briggs & Stratton Power Products.

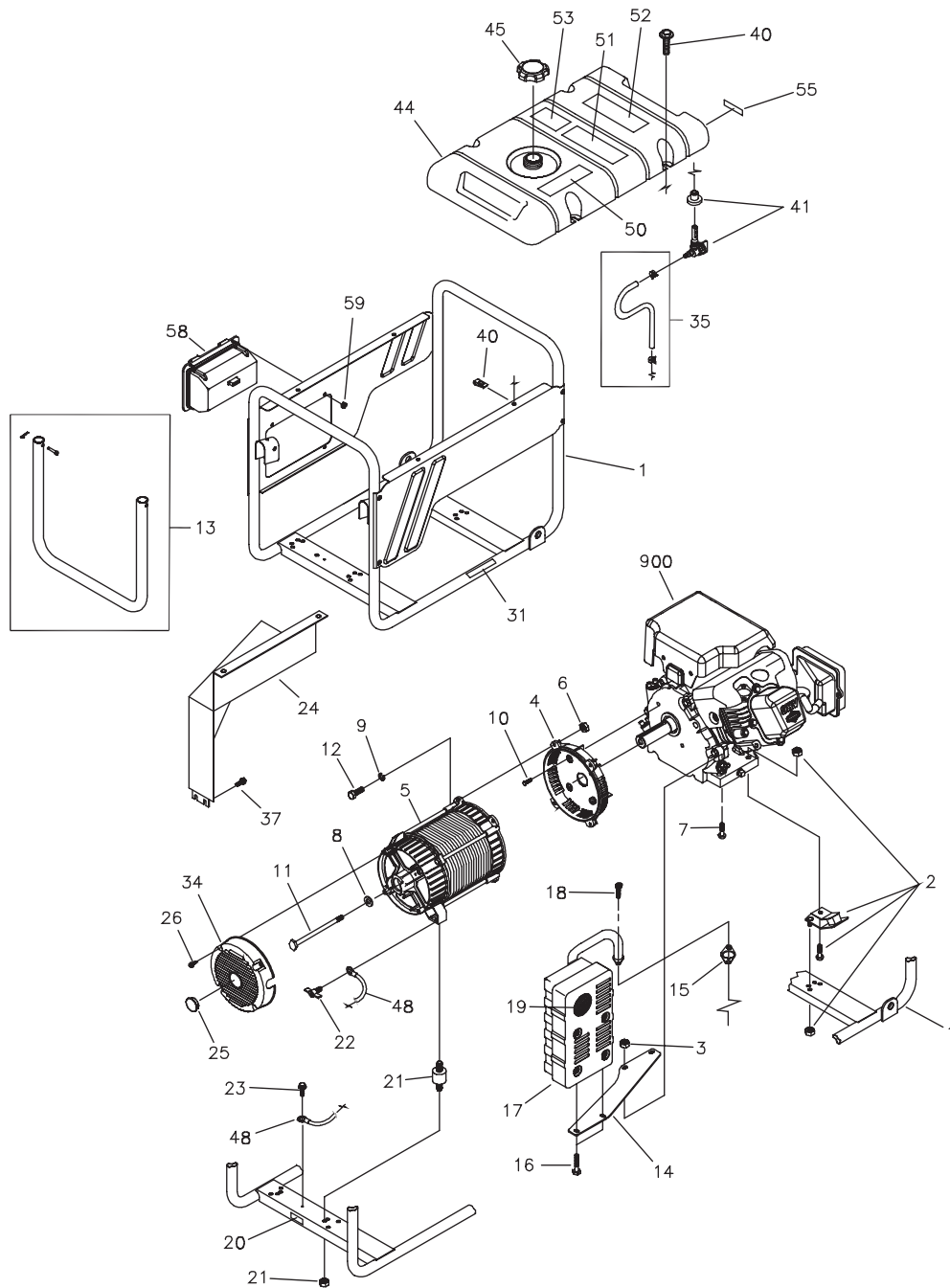
Troy-Bilt® es una marca registrada de MTD y se usa abajo licencia a Briggs & Stratton Power Products.

**BRIGGS & STRATTON POWER PRODUCTS GROUP, LLC**  
**JEFFERSON, WISCONSIN, U.S.A.**

Printed in USA Manual No. 204109A Revision A (05/30/2007)

# Exploded Views and Parts Lists

## EXPLODED VIEW - MAIN UNIT



Copyright © 2007 Briggs & Stratton Power Products Group, LLC. All rights reserved. No part of this material may be reproduced or transmitted in any form by any means without the express written permission of Briggs & Stratton Power Products Group, LLC.

# Exploded Views and Parts Lists

## PARTS LIST - MAIN UNIT

<b>Item</b>	<b>Part #</b>	<b>Description</b>	<b>Item</b>	<b>Part #</b>	<b>Description</b>
1	197670GS	KIT, Cradle (Includes items 20 & 31)	34	195422GS	COVER, RBC, Plastic w/Cap
2	194150GS	KIT, Vibration, Mount, 45°	35	195207GS	KIT, Hose Formed
3	67989GS	NUT, M8 Flange Serrated	37	56893GS	CRIMPTITE, 10-24 x 1/2
4	186058AGS	HOUSING, Engine Adapter	40	199433GS	KIT, Fuel Tank Hardware w/U-Clips
5	NSP	ASSY, Alternator		199284GS	U-CLIPS, (Optional Accessory)
6	*	NUT, Hex M8 - 1.25	41	192980GS	KIT, Valve, Fuel Tank
7	*	TPHMS, M8 - 1.25 x 35	44	198226GS	ASSY., Tank, Fuel (Includes items 41, 50, 51, 52, 53 & 55)
8	96796GS	WASHER, 8.4 x 22.2 x 3	45	200095GS	CAP, Fuel
9	*	WASHER, Lock 5/16 M8	48	195373GS	WIRE, Ground
10	*	HHCS, 5/16-24 x 3/4	50	188333GS	DECAL, Gas Fill
11	47480GS	HHCS, 5/16-24 x 7	51	194799GS	DECAL, Danger
12	*	HHCS, M8 1.25 x 25	52	189235GS	DECAL, Start Instructions
13	194330GS	KIT, Handle	53	202997GS	DECAL, Warning, CO
14	191785GS	BRACKET, Muffler	55	197798GS	DECAL, Shut-Off, Fuel
15	697815	GASKET, Exhaust	58	197641GS	ASSY, Control Panel
16	*	HHCS, M6 - 1.0 x 12 w/LW	59	*	NUT, Palnut, 3/16"
17	188301GS	MUFFLER	900	§	ENGINE
18	*	SHCS, M6 - 1.0 x 20			
19	83083GS	SCREEN, Spark Arrest			
20	B4986GS	DECAL, Ground, Green			
21	194153GS	KIT, Vibration Mount			
22	86494GS	SCREW, Wing M6 - 1.0 x 16			
23	195094GS	SCREW, 10 - 16 x .68, Self Drill			
24	198037GS	SHIELD, Heat			
25	191190GS	CAP			
26	74908GS	SCREW, M5-0.8 x 10, Taptite			
31	196830GS	DECAL, Exhaust Warning			

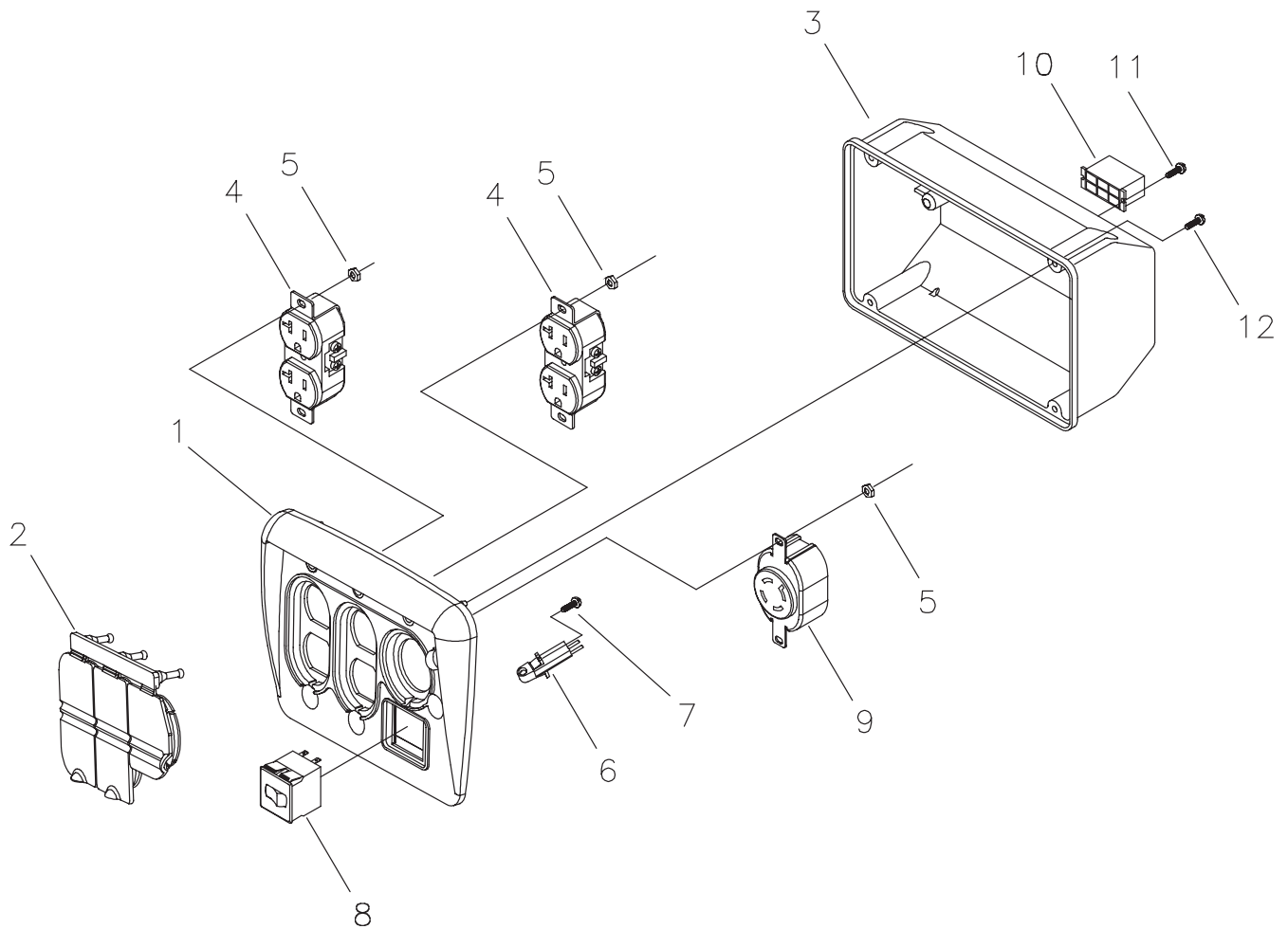
  

<b>Parts Not Illustrated</b>	
204109GS	MANUAL, Operator's
202387GS	KIT, Decals, Srv

\* - Items without part numbers are common fasteners and are available at your local hardware store.  
 § - Contact Engine Manufacturer

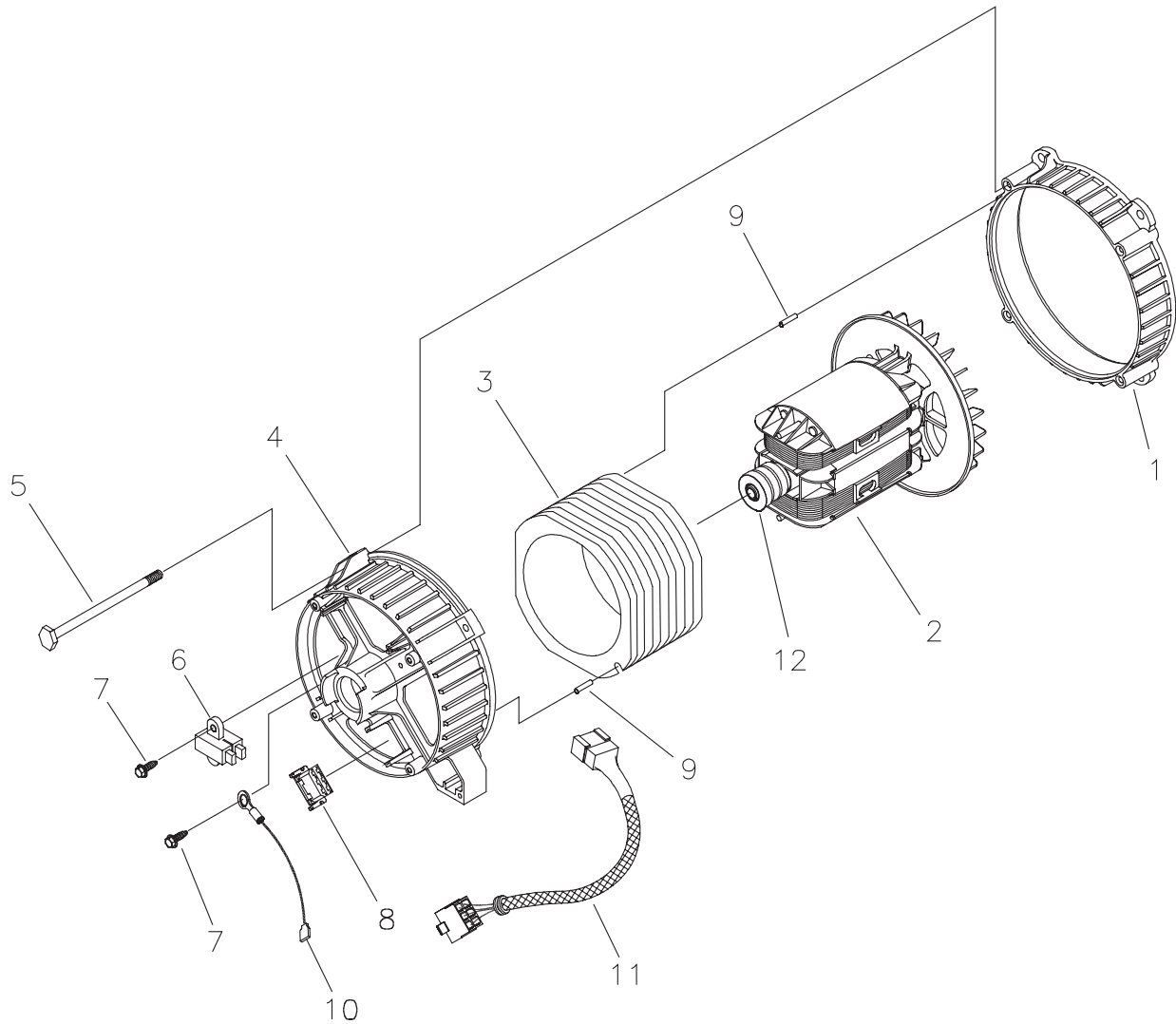
# Exploded Views and Parts Lists

## CONTROL PANEL EXPLODED VIEW & PARTS LIST



Item	Part #	Description
1	197471GS	PANEL, Control
2	197472GS	COVER, Outlet Flip
3	188890GS	COVER, Back Panel
4	197731GS	OUTLET, 120V, 15/20A Duplex
5	189165GS	NUT, 5/32 Pal
6	197729GS	MODULE, Led
7	197958GS	SCREW, 3 x 6, Tapping
8	191479DGS	BREAKER, Circuit, 20A
	191481GS	BOOT, Breaker Circuit (not shown)
9	43437GS	OUTLET, 120/240V, 30A
10	22694GS	HOUSING, Receptacle, 6 Pin
11	82308GS	SCREW, 3 x 18, Tapping
12	192241GS	SCREW, 3.5 x 14, Tapping

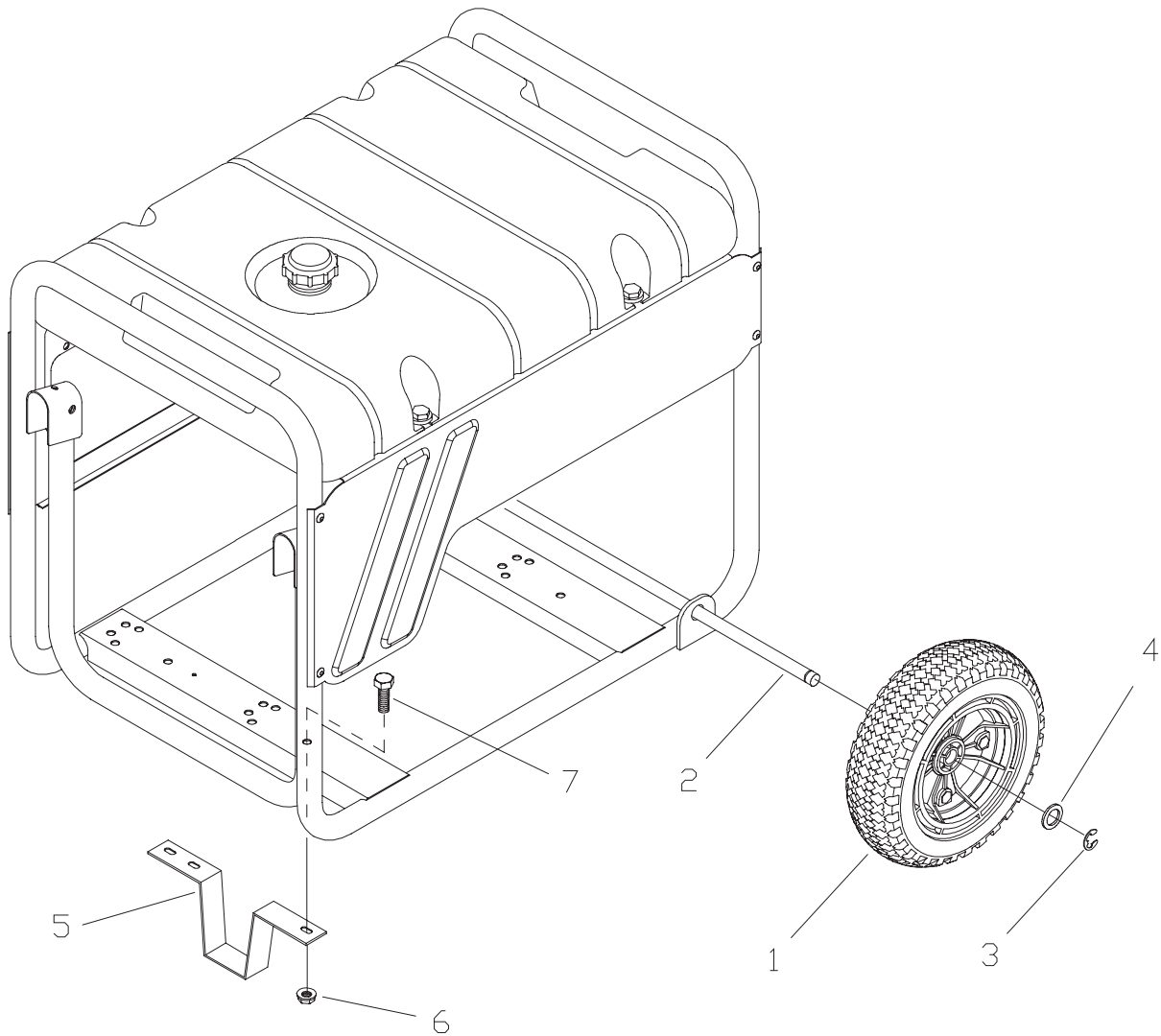
## ALTERNATOR EXPLODED VIEW & PARTS LIST



Item	Part #	Description
1	186059GS	ADAPTER, Mounting, Alternator
2	204232GS	ROTOR
3	204147GS	STATOR
4	186060GS	RBC, with O-Ring (p/n 189197)
5	86308JGS	HHCS, M6 - 1.0 x 95 SEMS
6	91825GS	ASSY, Holder, Rectifier/Brush
7	66849GS	TAPTITE, M5 - 0.8 x 16
8	22694GS	RECEPTACLE, 6 pin
9	81917GS	PIN, Roll, 4mm x 10
10	193428AGS	WIRE-A, Ground
11	194274GS	HARNESS, Wire, Power
12	65791GS	BEARING

# Exploded Views and Parts Lists

## WHEEL KIT EXPLODED VIEW & PARTS LIST



Item	Part #	Description
1	196517GS	WHEEL
2	191267NGS	AXLE
3	191265GS	E-RING
4	*	WASHER, 5/8"
5	B1764GS	SUPPORT, Wheel Kit
6	67989GS	NUT, M8 Flange Serrated
7	*	HHCS, M8- 1.25 x 16

\* - Items without part numbers are common fasteners and are available at your local hardware store.