



## Illustrated Parts List

### Portable Generator Model 030360



Troy-Bilt® is a registered trademark of MTD and is used under license to Briggs & Stratton Power Products.

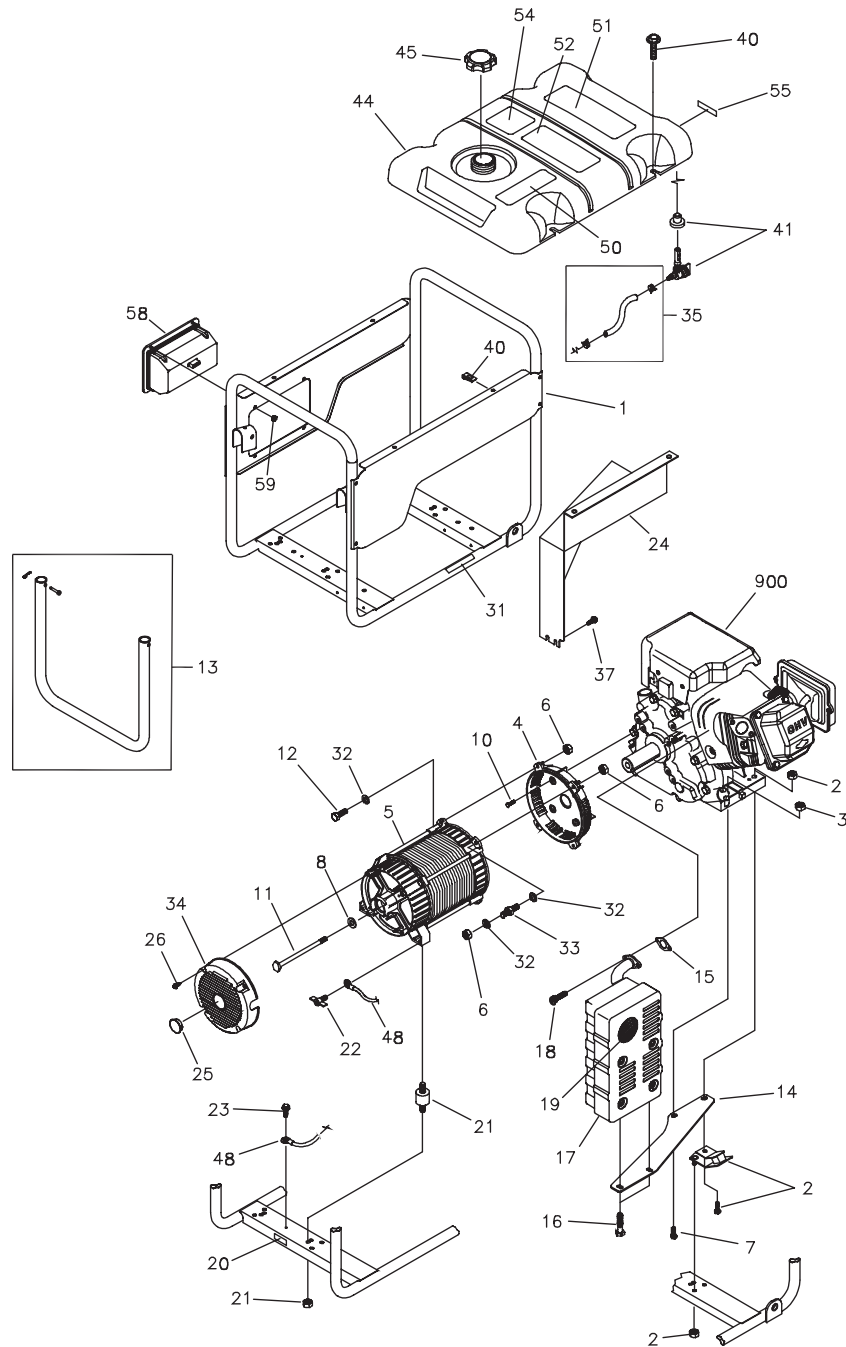
Troy-Bilt® es una marca registrada de MTD y se usa abajo licencia a Briggs & Stratton Power Products.

**BRIGGS & STRATTON POWER PRODUCTS GROUP, LLC**  
**JEFFERSON, WISCONSIN, U.S.A.**

Printed in USA Manual No. 204034A Revision - (04/30/2007)

# Exploded Views and Parts Lists

## EXPLODED VIEW - MAIN UNIT



Copyright © 2007 Briggs & Stratton Power Products Group, LLC. All rights reserved. No part of this material may be reproduced or transmitted in any form by any means without the express written permission of Briggs & Stratton Power Products Group, LLC.

# Exploded Views and Parts Lists

## PARTS LIST - MAIN UNIT

Item	Part #	Description	Item	Part #	Description
1	203473GS	ASSY, Cradle (Includes items 20 & 31)	35	791745	KIT, Fuel Hose, w/Clamps
2	194150GS	KIT, Vibration, Mount, 45°	37	56893GS	CRIMPTITE, 10-24 x 1/2
3	67989GS	NUT, M8 Flange Serrated	40	199433GS	KIT, Fuel Tank Hardware w/U-Clips
4	190220GS	HOUSING, Engine Adapter		199284GS	U-CLIPS, (Optional Accessory)
5	NSP	ASSY, Alt (see page 5)	41	192980GS	KIT, Valve, Fuel Tank
6	*	NUT, Hex M8 - 1.25	44	193668GS	ASSY., Tank, Fuel (includes Items 41, 50, 51, 52, 54 & 55)
7	*	TPHMS, M8 - 1.25 x 35	45	B4363GS	CAP, Fuel Gauge
8	96796GS	WASHER, 8.4 x 22.2 x 3	48	195373GS	WIRE, Ground
10	190274BGS	SBHCS, 3/8 - 16 x 1	50	188333GS	DECAL, Gas Fill
11	47480GS	HHCS, 5/16-24 x 7	51	194799GS	DECAL, Danger
12	*	HHCS, M8 - 1.25 x 25	52	189235GS	DECAL, Start Instructions
13	198763GS	KIT, Handle	54	202997GS	DECAL, CO Warning
14	189009GS	BRACKET, Muffler	55	197798GS	DECAL, Shut-Off, Fuel
15	695398	GASKET, Exhaust	58	201575GS	ASSY, Control Panel
16	*	HHCS, M6 - 1.0 x 12 w/LW	59	*	NUT, Palnut, 3/16"
17	189008GS	MUFFLER	900	§	ENGINE
18	*	SHCS, 15/16 - 18 x 3/4			
19	83083GS	SCREEN, Spark Arrest			
20	B4986GS	DECAL, Ground, Green			
21	194153GS	KIT, Vibration Mount			
22	86494GS	SCREW, Wing M6 - 1.0 x 16			
23	86292GS	SCREW, 10 - 16 x 3/4, Self Drill			
24	197424GS	SHIELD, Heat			
25	191190GS	CAP			
26	74908GS	SCREW, M5-0.8 x 10, Taptite			
31	196830GS	DECAL, Exhaust Warning			
32	*	WASHER, Lock 5/16 - M8			
33	187117GS	STUD, Double			
34	195422GS	COVER, RBC, Plastic with Cap			

### Parts Not Illustrated

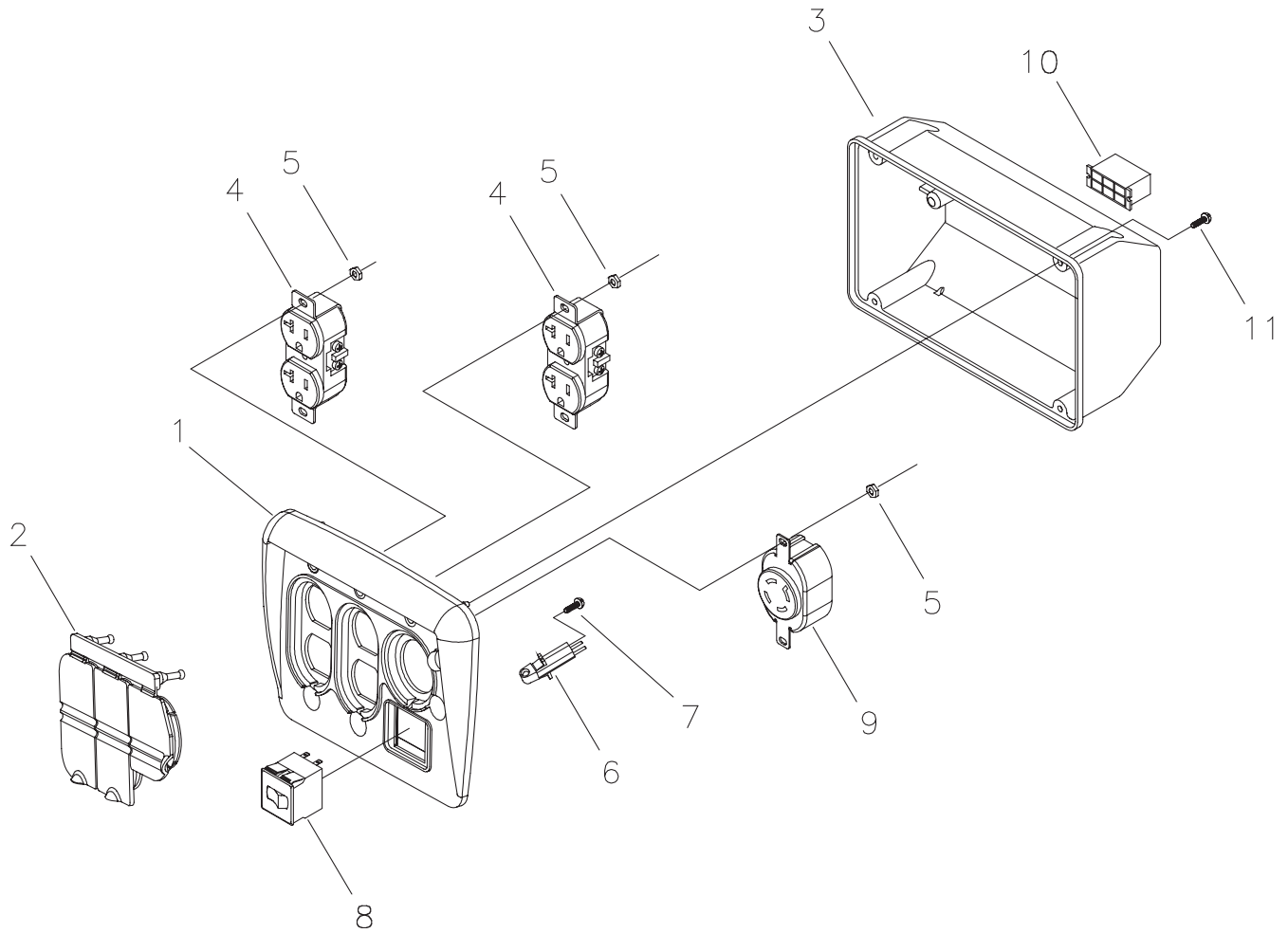
204034GS	MANUAL, Operator's
197474GS	CORDSET, Storm
202180GS	DECAL, Family, CA EVP
202368GS	KIT, Decals, Srv.

\* - Items without part numbers are common fasteners and are available at your local hardware store.

§ - Contact Engine Manufacturer

# Exploded Views and Parts Lists

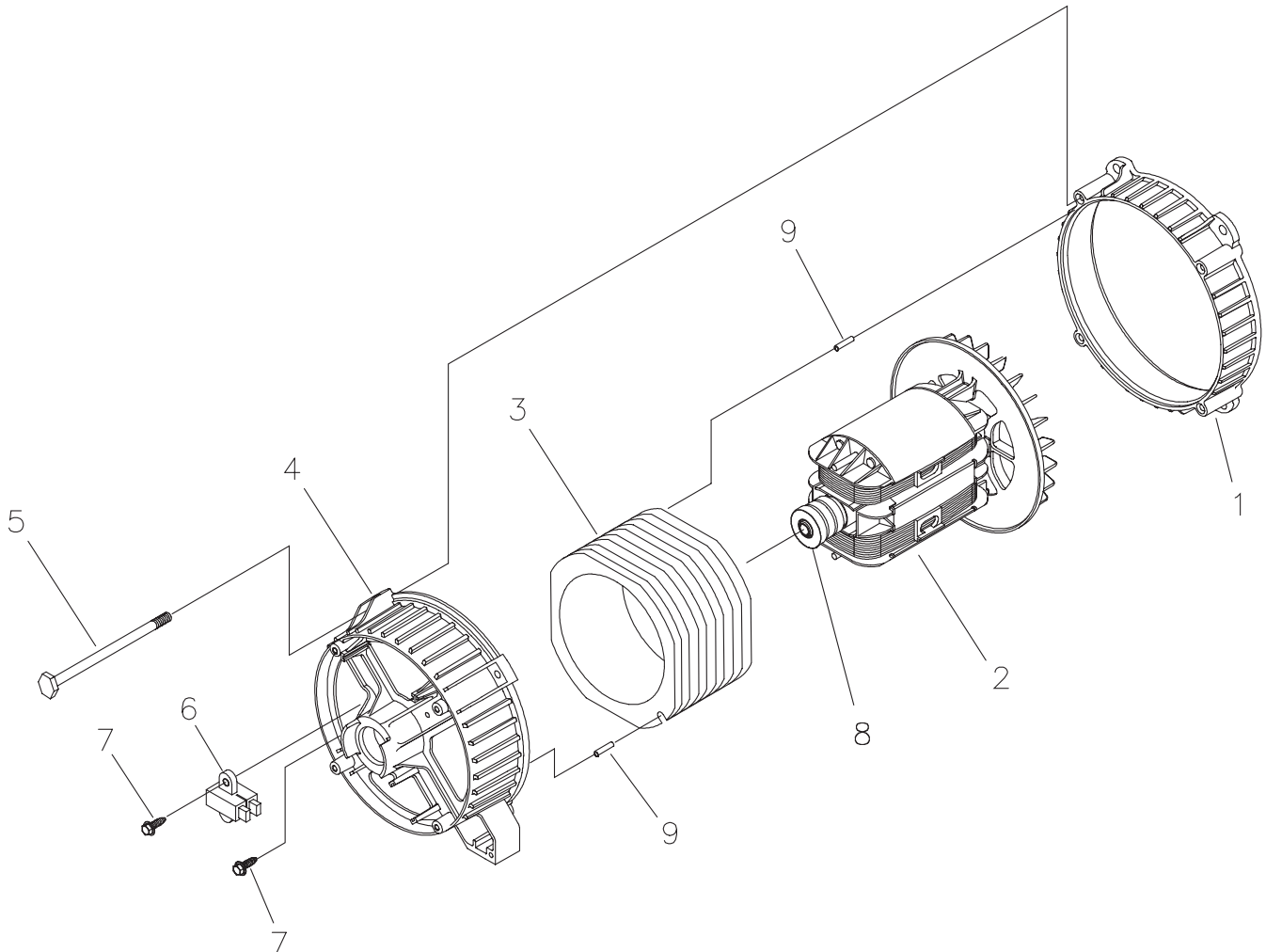
## CONTROL PANEL EXPLODED VIEW & PARTS LIST



Item	Part #	Description
1	201571GS	PANEL, Control
2	197472GS	COVER, Outlet Flip
3	201572GS	COVER, Back Panel
4	197731GS	OUTLET, 120V, 15/20A Dplx
5	189164GS	NUT, 3/16 Pal
6	202951GS	MODULE, Led
7	*	SCREW, 3 x 6, Tapping
8	202030GS	BREAKER, Circuit, 20A
	191481gs	BOOT, Breaker Circuit (not shown)
9	43437GS	OUTLET, 120/240V, 30A
10	201678GS	HOUSING, Rcptcl, 6 Pin
11	*	PPPHS, M3 - 0.5 x 12

\* - Items without part numbers are common fasteners and are available at your local hardware store.

## ALTERNATOR EXPLODED VIEW & PARTS LIST

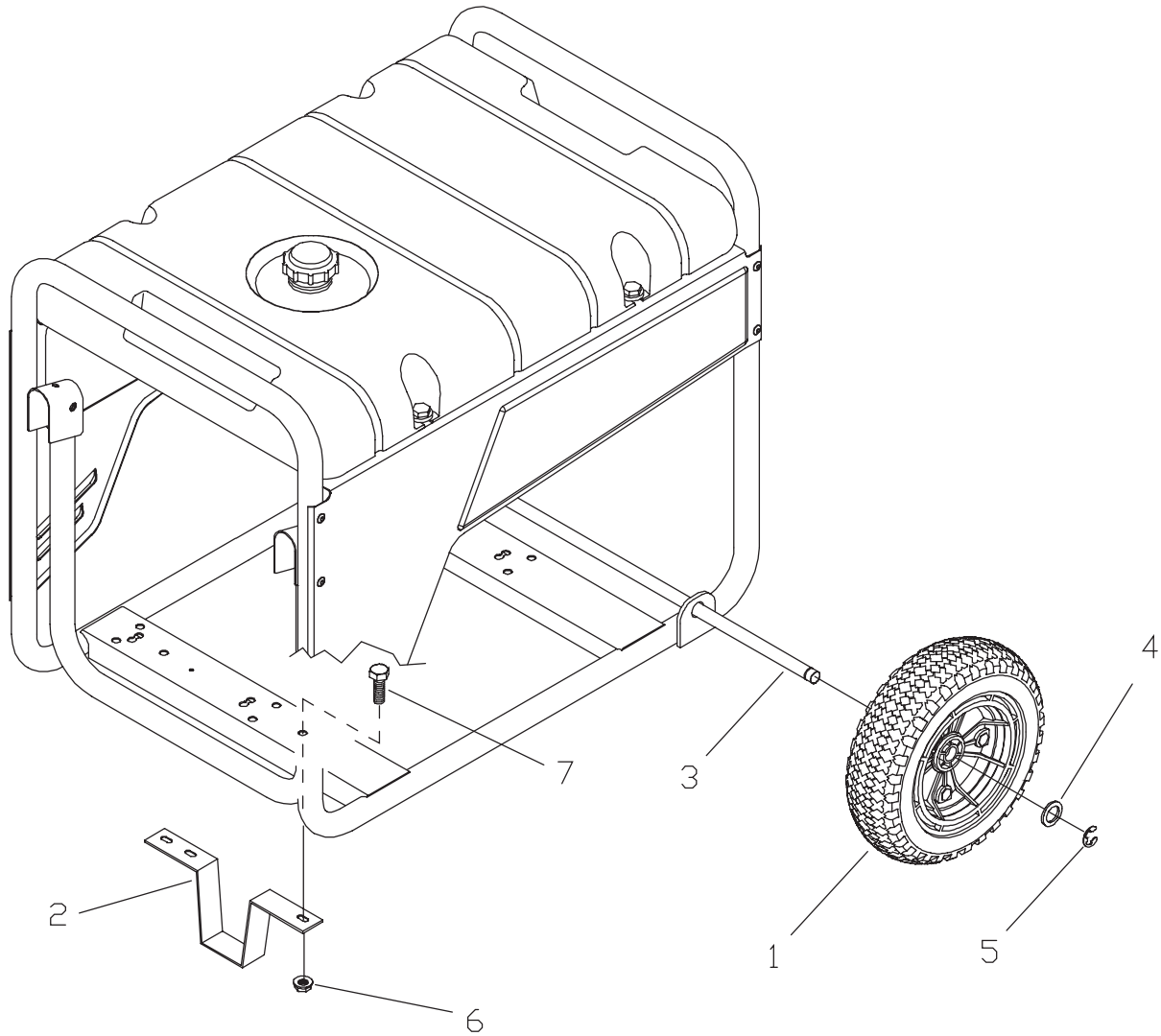


Item	Part #	Description
1	186059GS	ADAPTER, Mounting, Alternator
2	204105GS	ASSY., Rotor (Includes Item 8)
3	203936GS	STATOR
4	186060GS	RBC, with O-Ring (p/n 189197)
5	86308CGS	HHCS, M6 - 1.0 x 130 SEMS
6	91825GS	ASSY, Holder, Rectifier/Brush
7	66849GS	TAPTITE, M5 - 0.8 x 16
8	65791GS	BEARING
9	91551GS	PIN, Groove

# Exploded Views and Parts Lists

---

## WHEEL KIT EXPLODED VIEW & PARTS LIST



Item	Part #	Description
1	196517GS	WHEEL
2	B1764GS	SUPPORT, Wheel Kit
3	191267HGS	AXLE
4	*	WASHER, 5/8"
5	191265GS	E-RING
6	67989GS	NUT, M8 - Flange Serrated
7	*	HHCS, M8 - 1.25 x 16

\* - Items without part numbers are common fasteners and are available at your local hardware store.