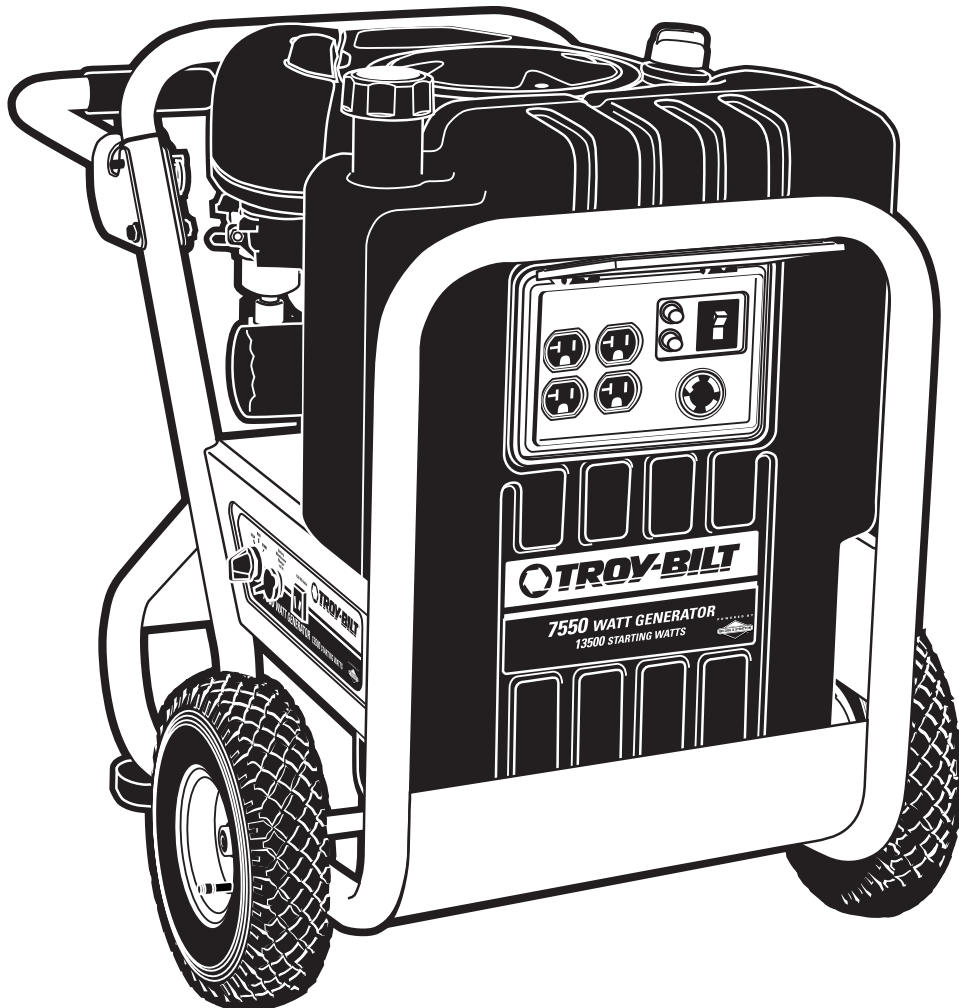




Illustrated Parts List

Portable Generator Model 01925



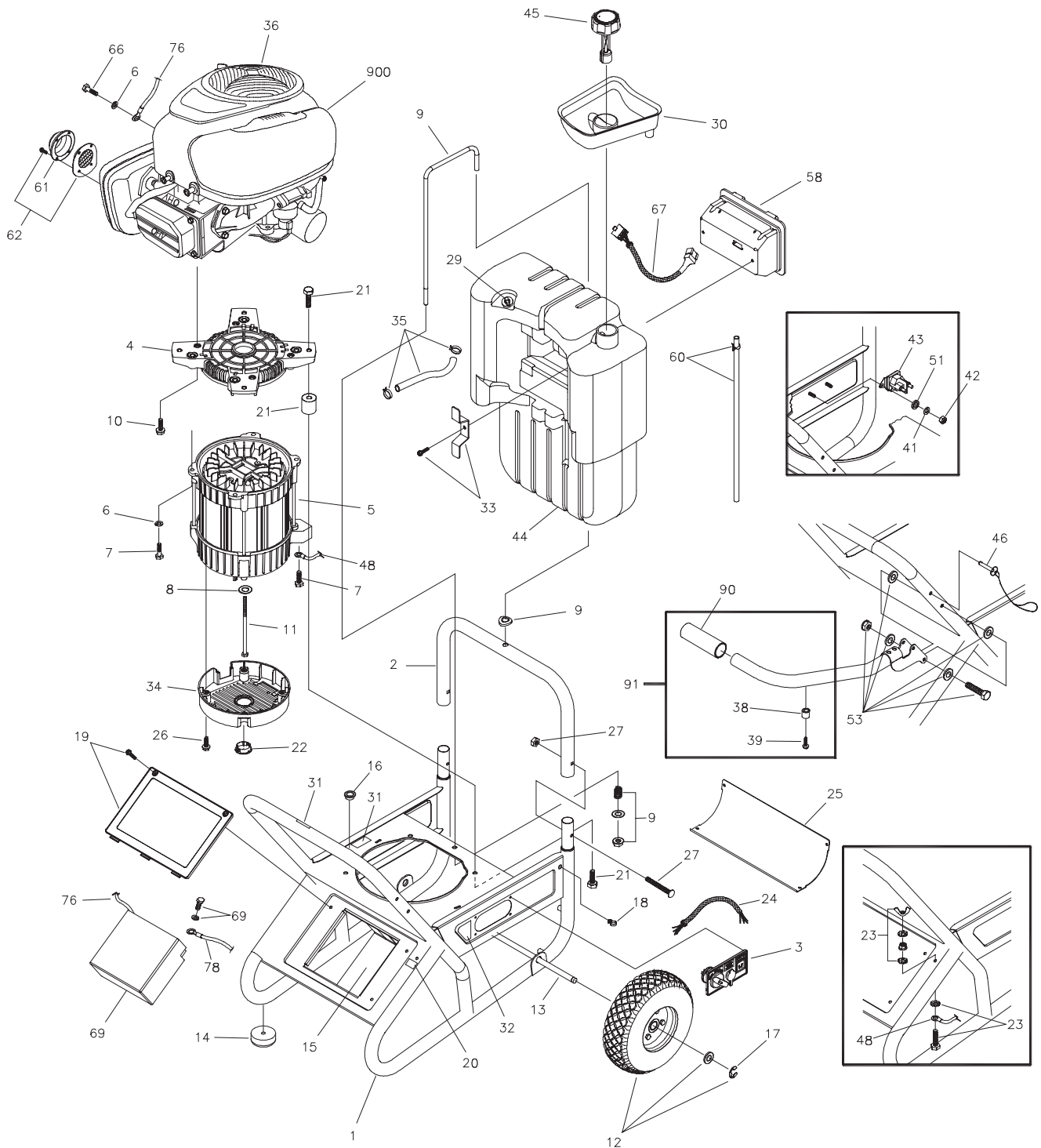
Troy-Bilt® is a registered trademark of Troy-Bilt, LLC and is used under license to Briggs & Stratton Power Products.

Troy-Bilt® es una marca registrada de Troy-Bilt, LLC y se usa abajo licencia a Briggs & Stratton Power Products.

BRIGGS & STRATTON POWER PRODUCTS GROUP, LLC
JEFFERSON, WISCONSIN, U.S.A.

Exploded Views and Parts Lists

EXPLODED VIEW - MAIN UNIT



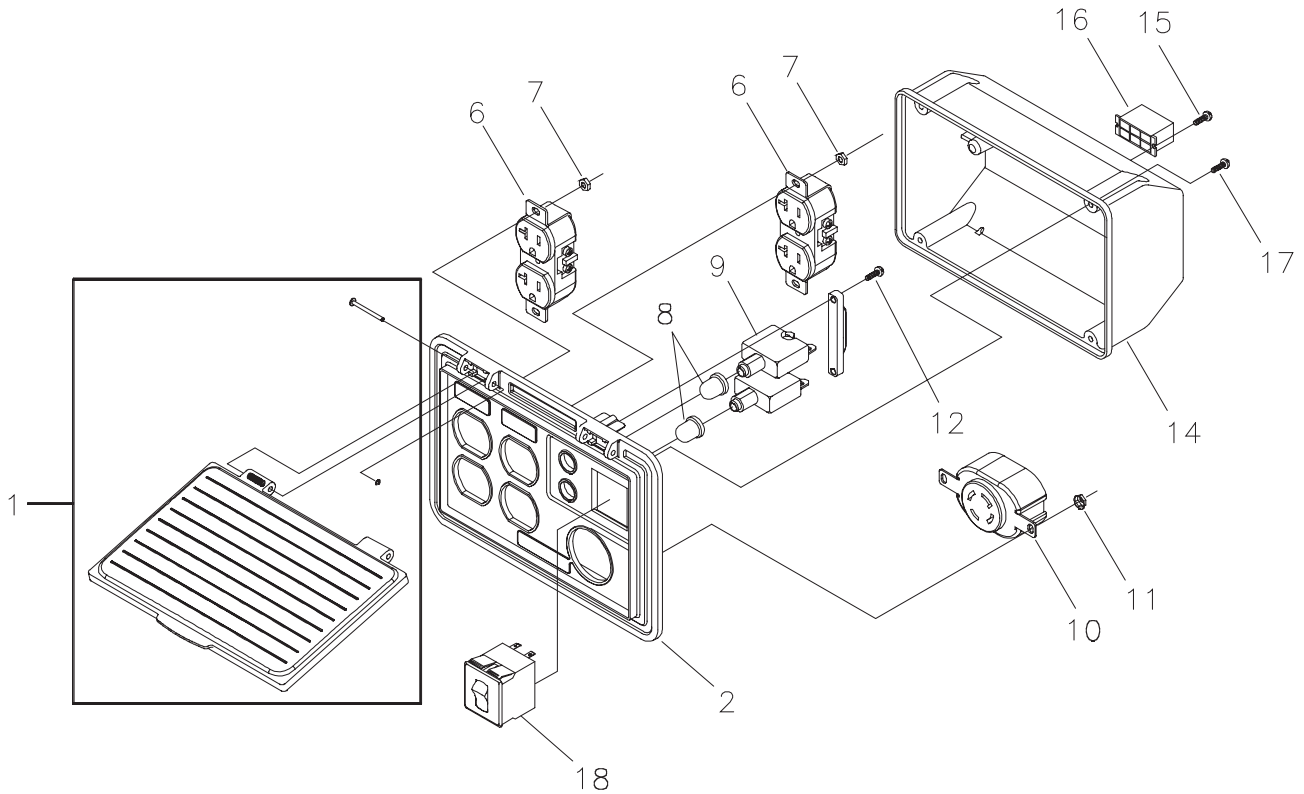
Exploded Views and Parts Lists

PARTS LIST - MAIN UNIT

Item	Part #	Description	Item	Part #	Description
1	PI91821GS	CRADLE	41	*	WASHER, Lock, 1/4 - M6
2	PI93086GS	CRADLE, Top	42	*	NUT, 1/4-20
3	I95577GS	ASSY, DC Control Panel (see page 5)	43	691656	SOLENOID/BRACKET
4	I91793GS	ADAPTER, Engine	44	I93345GS	ASSY, Tank, Fuel w/Decals
5	NSP	ASSY, Alternator (see page 6)	45	I91826GS	CAP, Fuel Gauge
6	*	WASHER, Lock, 5/16 - M8	46	B4135GS	PIN, Handle Release
7	*	HHCS, 5/16-18 x 1	48	I92810GS	HARNESS, Ground
8	96796GS	WASHER, 8.4 x 22.2 x 3	51	*	WASHER, Flat, 1/4
9	I94726GS	KIT, Mounting Rod w/Hardware	53	I94724GS	KIT, Folddown Handle Hardware
10	75246GS	TAPTITE, 3/8 - 16 x 1-1/4	58	I92277GS	ASSY, Control Panel (see page 4)
11	I87365HGS	HHCS, 5/16-24 x 9.84	60	I94730GS	KIT, Overflow Fuel Hose w/Clamp
12	I94509GS	KIT, Wheel	61	396903	DEFLECTOR, Muffler
13	I91267GGS	AXLE	62	392390	ARRESTOR, Spark with Screws
14	I92553GS	KIT, Vibration Mount Hrdwre (2 sets)	66	*	HHCS, 5/16-18 x 3/4
15	I93320GS	STRIP, Foam 1/4 x 74 x 230	67	I92809GS	HARNESS, AC
16	I86173GS	BUSHING, Snap	69	I93463GS	BATTERY, 12V with Hardware
17	I91265GS	E-RING, 5/8"	76	I85939LGS	CABLE, Blk, Battery to Engine
18	I92940GS	CLIP, Retainer, Fuel Hose	78	I89302EGS	CABLE, Red, Battery to Solenoid
19	I94722GS	COVER, Billboard with Hardware	90	I92477GS	GRIP, Handle
20	B4986GS	DECAL, Ground	91	PI93316GS	ASSY, Handle (Includes Item 90)
21	I94727GS	KIT, Vibration Mount	900	NSP	ENGINE
22	I91190GS	CAP, Bolt, Rotor	Parts Not Illustrated		
23	I94533GS	KIT, Grounding Hardware	65787GS	CABLE, Battery Charge	
24	I95558GS	HARNESS, DC	B4177GS	CHARGER, Battery	
25	I93344GS	KIT, PLT, Skid, SRV	I91824GS	TRAY, Oil Drain	
26	74908GS	TAPTITE, M5 - 0.8 x 10	I95594GS	MANUAL, Owner's	
27	I94065GS	KIT, Handle Hardware	MS5936	MANUAL, Engine	
30	I92921GS	SHIELD, Fuel Fill	BB3061GS	OIL, Bottle	
31	I91436GS	DECAL, Caution Hot Muffler	I88971GS	CORD, Extension	
32	I93504GS	DECAL, Battery Instructions	I89302FGS	CABLE, Red, Solenoid to Starter	
33	I94721GS	KIT, Retaining Brckt with Hardware	A3746GS	ASSY, Holder Fuse	
34	I91029GS	COVER, RBC, Plastic	I93347GS	KIT, Battery Term, Hardware	
35	I94265GS	KIT, Fuel Hose w/Clamps	I93346GS	KIT, Decals	
36	I92251GS	GUARD, Recoil	I95247GS	DECAL, Warning	
38	I86569GS	BUMPER, Recess	I92808GS	DECAL, Instructions Fuel Level	
39	*	PPHMS, #10 x 1/2			

Exploded Views and Parts Lists

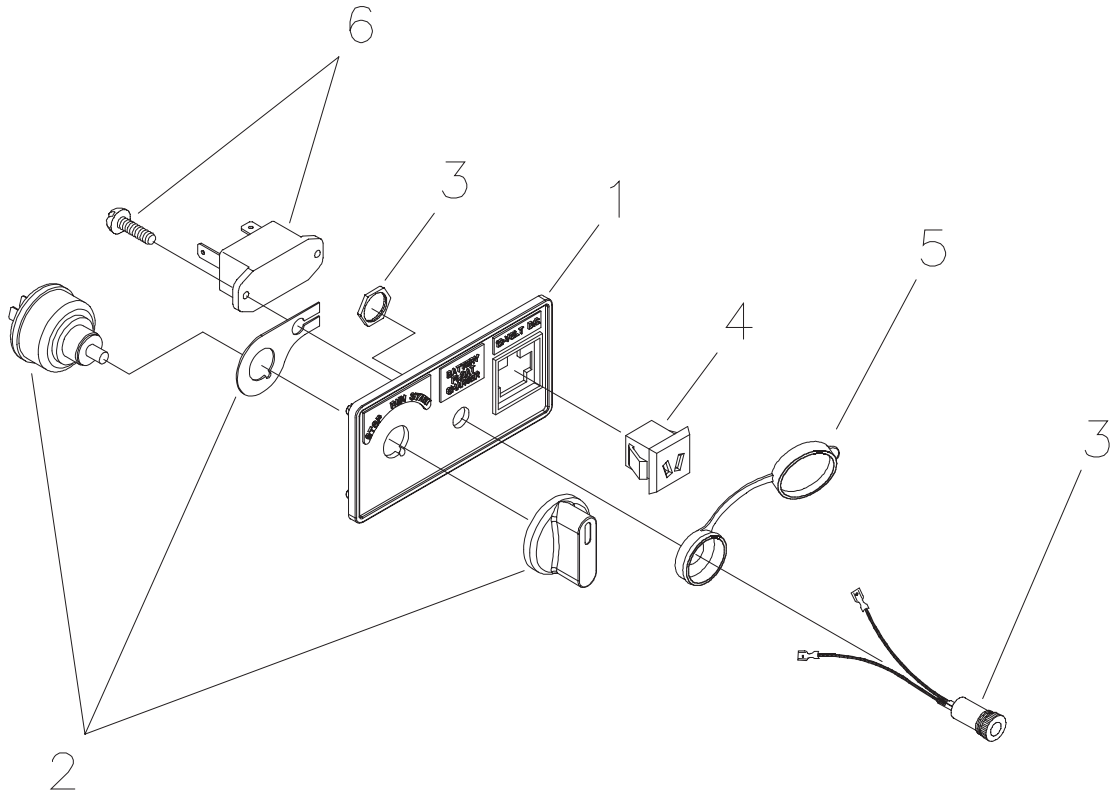
AC CONTROL PANEL EXPLODED VIEW & PARTS LIST



Item	Part #	Description
1	195112GS	ASSY, Control Lid Panel
2	192273BGS	CONTROL PANEL, Compact
6	68759GS	OUTLET, 120V, 20A, Duplex
7	*	NUT, Palnut, Pushnut, 5/32
8	84198GS	CAP, Breaker, Circuit
9	75207GS	BREAKER, Circuit
10	43437GS	OUTLET, 120/240V Locking, 30A
11	*	NUT, Palnut, Pushnut, 3/16
12	*	PPHMS, 3.5 x 18
13	93857GS	BAR, Retaining
14	192274GS	BOX, Rear Cover
15	82308GS	SCREW, Tapping, STC 3 x 18
16	22694GS	HOUSING, Receptacle
17	192241GS	SCREW, Tapping, 3.5 x 14
18	192785GS	BREAKER, Circuit, 30A

Exploded Views and Parts Lists

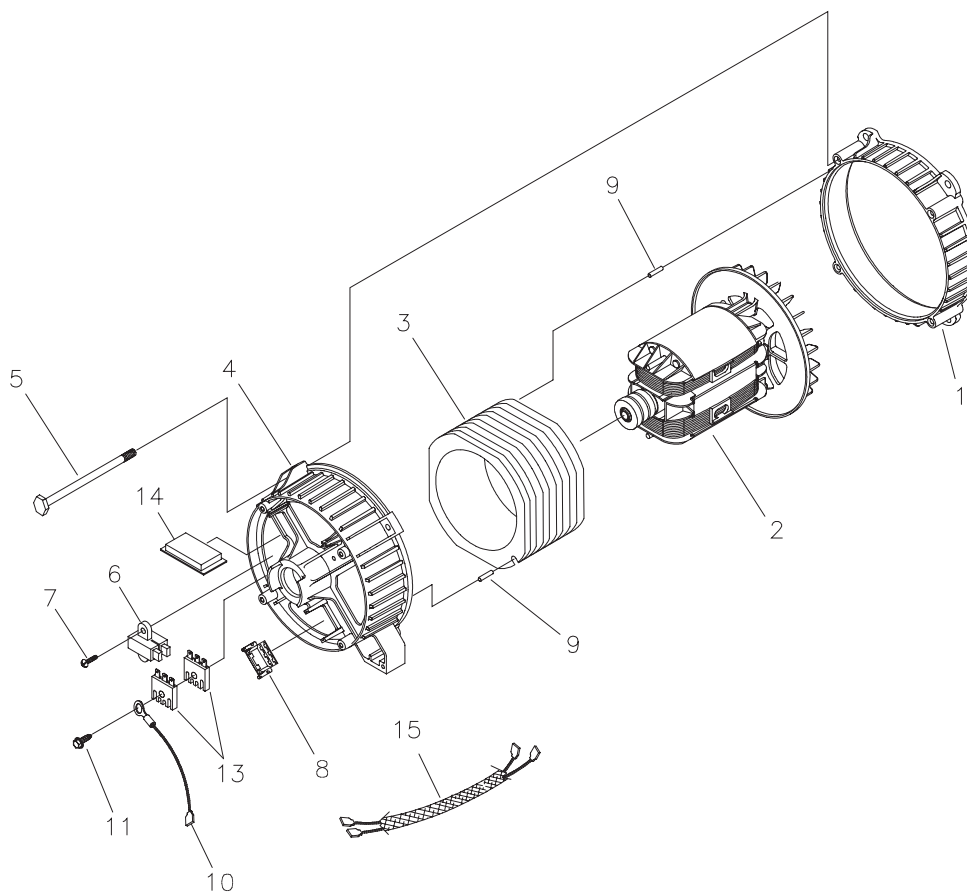
DC CONTROL PANEL EXPLODED VIEW & PARTS LIST



Item	Part #	Description
1	192367GS	PANEL, DC Control
2	195635GS	KIT, SRS, Switch with Knob
3	192466GS	ASSY, Jack, Coaxial, DC
4	90418GS	OUTLET, 12VDC, Snap
5	186133GS	CAP, Battery Charge
6	194839GS	KIT, Circuit Breaker

Exploded Views and Parts Lists

ALTERNATOR EXPLODED VIEW & PARTS LIST



Item	Part #	Description
1	186059GS	ADAPTER, Mounting, Alternator
2	192171GS	ROTOR
3	192186AGS	STATOR
4	193336GS	RBC, (with O-Ring p/n 189197GS)
5	86308KGS	HHCS, M6 - 1.0 x 140 SEMS
6	66386GS	ASSY, Holder, Brush
7	66849GS	TAPTITE, M5 - 0.8 x 16
8	22694GS	RECEPTACLE, 6 pin
9	81917GS	PIN, Roll, 4mm x 10
10	193428AGS	ASSY, Wire, Ground
11	66849CGS	TAPTITE, M5 x 0.8 x 3.0
13	65795GS	RECTIFIER
14	195011GS	BOARD, Circuit, System Control, Micro
15	193074GS	HARNESS, Wire DC Charge